



Leica Flex Arm and Swing Arm Stands

Plenty of room for large specimens

Living up to Life

Leica
MICROSYSTEMS

Plenty of Room for Big Projects

Ready for large workpieces

Due to their dimensions, many workpieces and specimens cannot be viewed using a conventional stereomicroscope/stand combination. The flex and swing arm stands from Leica Microsystems offer precisely this room, giving you the flexibility you need to examine small as well as large specimens: the stereomicroscope easily swings over the specimen. Which stand is suited best depends on the microscope used and the requirements of the application.

Stability and flexibility for your routine tasks

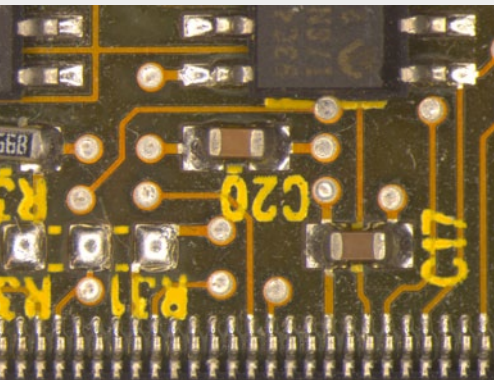
Materials testing and quality control play an important role in all areas of industrial production. If the perspectives change frequently, it is especially important for you to get a stable, steady image of the specimen in the eyepiece quickly. The Leica swing arm stands combine excellent damping behavior with a wide extension range of the horizontal arm. They can be repositioned with little effort and prove themselves in the everyday rough working conditions of industrial production. The table clamp and flange offer additional assembly options for every work environment.

Modularity and ergonomics for every work situation

Leica Microsystems offers a large palette of stereomicroscopes and compatible accessories that make working with them for long periods significantly more comfortable. Compact, integrated digital cameras such as the Leica IC80 HD fit seamlessly into the system. Adjustable binocular tubes adjust to the working height and viewing angle in one step. These and many other details make it easy to change users quickly. Individual adjustment of the instrument to the respective user also enables several hours of concentrated work on the stereomicroscope and helps obtain better results.



Detail of a painting to be restored
(albumen print, circa 1880)



Soldered joints under the microscope



Detail view for checking a denture during production





Siderite crystals as a joint filling in carbonate

For the Greatest Freedom of Movement

Table clamp

- for work tops to a thickness of 100 mm
- minimum space requirements on table (100 × 105 mm)

Two-piece flex arm

- Improved freedom of movement of the specimen by having the lower part fixed at an angle of 15°
- Maximum adaptation to the specimen by having a height-adjustable upper part
- Both parts can be rotated 360°
- Greatest possible freedom of movement in three axes
- Weight of the equipment can be balanced: 1.5 to 7 kg
- Factory setting: 2.6 kg
- Up to 1-meter extension
- Clamping lever for fastening the height adjustment
- Smooth, easy adjustment

The flex arm stand together with the provided table clamp is ideally suited for viewing large specimens. By means of the large extension, you can move over the entire specimen without having to move it.

Easy installation

The table clamp is easily installed on the work table or workbench. The flex arm stand needs only to be stuck into the table clamp.

High flexibility of movement

Thanks to the three axes and the large range of extension (almost one meter) the flex arm stand can be moved over the specimen in practically every conceivable position. The flex arm, balanced to the desired weight, allows for easy and fast adjustment to the specimen height.

Low space requirements

The table clamp needs only about a 10 x 10 cm area of your work table. If the working area is ever needed for tasks without the microscope, the flex arm stand can easily be collapsed and parked.



Large Range for a Small Budget

Together with the small base, the small horizontal arm is the ideal basic equipment configuration for inspection of large specimens. This combination is suitable for applications in which the instrument is positioned over the specimen once and then hardly changed. If necessary, the equipment can of course be conveniently swung in and out.

Safety for your specimen

The mechanical precision of the Leica swing arm stand makes lubrication entirely unnecessary. Therefore all work specimens are protected from contamination by grease. The safety ring on the vertical column protects the specimen and equipment when swinging to the side.

Sturdy and reliable

Carefully selected materials and precision processing ensure that the swing arm stand still works reliably after many years.

The space-saving, small baseplate is used above all for light equipment. If additional accessories will be used, we recommend using the larger baseplate.



Printed Circuit Board

Equipment recommendations

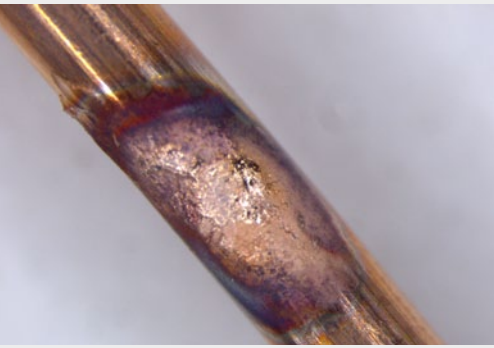
- With small baseplate: for light stereomicroscopes, e.g. Leica S6 E, M60, without extensive accessories
- With medium baseplate: for stereomicroscopes with accessories, e.g. Leica M80 with IC80 HD or Leica S8 APO with DFC290 HD
- For applications in which the stand can usually stay put
- Cost-effective variants for small budgets

Technical details

- High-quality materials defy tough production environments
- Retaining ring makes it easy to swing the whole equipment
- Optional, space-saving table clamp for tables with a thickness of 21–70 mm
- Optional flange for space-saving, long-term installation on the workstation

Maximum load

- 3 kg with small baseplate
- 6 kg with medium baseplate



Melt copper wire

Equipment recommendations

- With medium baseplate: for light stereomicroscopes, e.g. Leica S8 APO, M80, without extensive accessories
- For specimens with which various positions will be examined

Technical details – horizontal arm

- Easy-to-move horizontal adjustment with grease-free ball bearings
- Variably adjustable braking resistance
- Limit stop and retaining ring for fast repositioning

Technical details – baseplate

- Special damping feet on the medium baseplate shorten the oscillation period by up to 50%
- Optional, space-saving table clamp for tables with a thickness of 21–70 mm
- Optional flange for space-saving, long-term installation on the workstation

Maximum load

- 4.5 kg with medium baseplate
- Small baseplate not recommended

Accurate Positioning Made Easy

The medium horizontal arm makes working with microscope equipment effortless. The ball bearings make it glide smoothly and easily, so even frequent horizontal position changes are simple and accurate.

Fast positioning

With the adjustable stop you can set a position on the horizontal arm to define the maximum extension. The special retaining ring makes it possible to define a 90° swivel range. Both functions enable you to return to your original position quickly and reliably.

Stable field of vision with vibration-damping feet

The midsize base is equipped with special vibration-damping feet that significantly shorten system vibrations. This ensures that the image always remains stable when viewing work specimens. The result: fatigue-free work over long periods.



Maximum Load with Minimum Effort

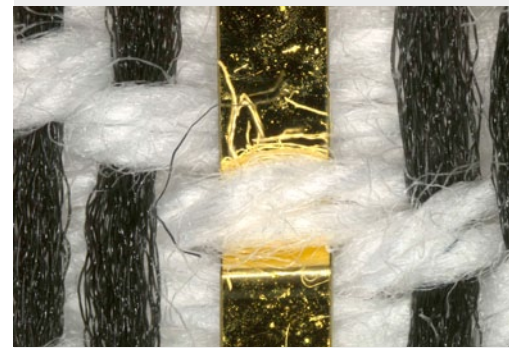
The large swing arm stand is ideal for heavy stereomicroscope equipment with extensive accessories. The ball bearings of the horizontal arm and the column's rack-and-pinion drive make for convenient height adjustment and positioning of the stereomicroscope over the specimen.

High stability with a steady field of view

The base of the large swing arm stand provides a high degree of stability. Thanks to the vibration-damping feet, it guarantees a consistently stable image and thus provides the foundation for successful documentation of your examinations.

Feather-light positioning

The adjustable stop on the horizontal arm limits the maximum extension. That enables the user to change between two defined positions quickly. The braking resistance for this movement can be continuously adjusted.



Textile fabric with gold wire

Equipment recommendations

- For heavy stereomicroscopes with accessories, e.g. Leica M125 with DFC camera and ergonomic accessories
- For specimens with which various positions will be examined

Technical details – horizontal arm

- Easy-to-move horizontal adjustment with grease-free ball bearings
- Adjustable braking resistance for horizontal arm and height adjustment
- Limit stop and retaining ring for fast repositioning
- Easy, accurate height-positioning via rack-and-pinion drive

Technical details – baseplate

- Special damping feet shorten the oscillation period by up to 50%
- Large, stable footprint with cutout, providing optimum stability with minimum space requirements

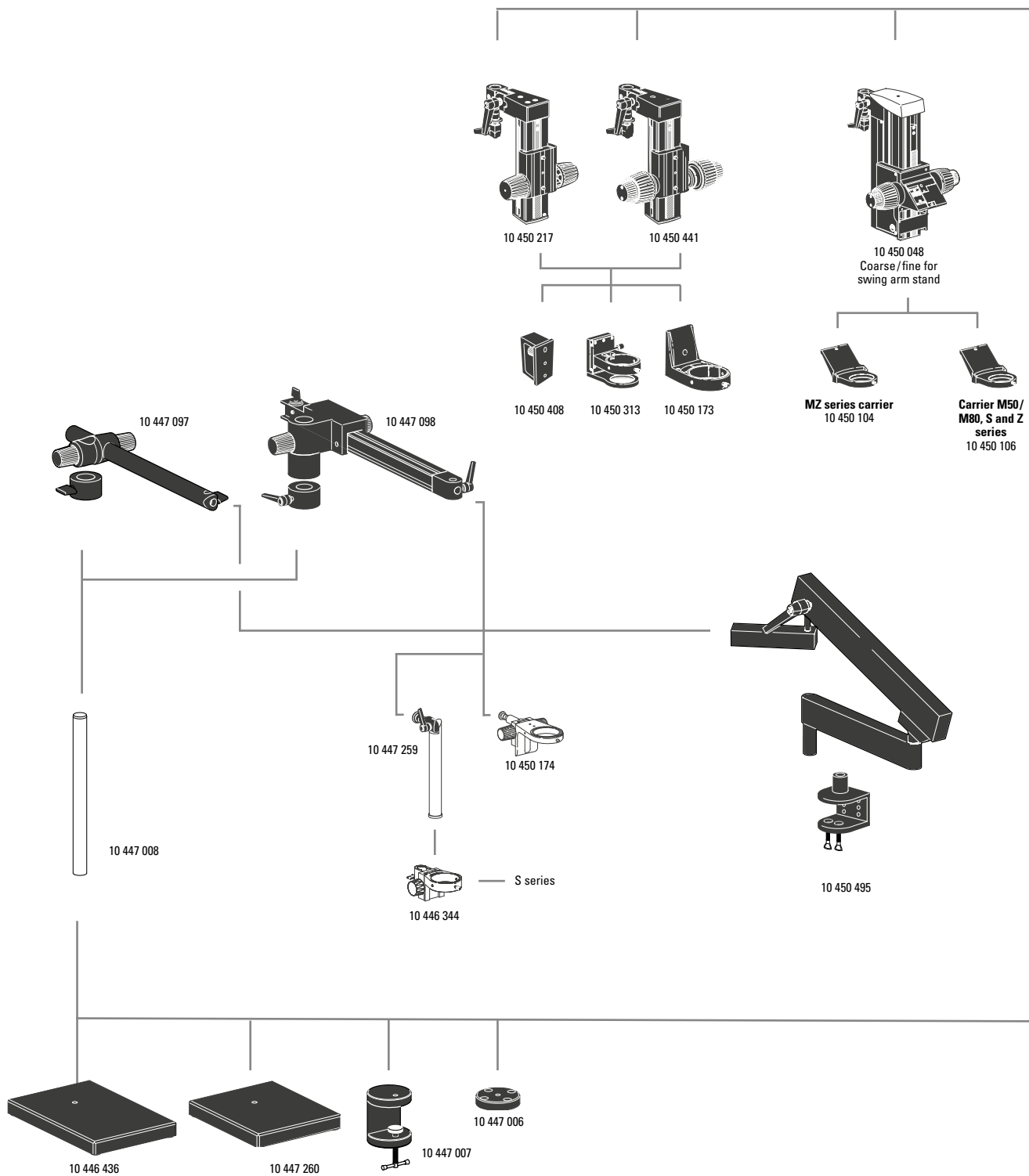
Maximum load

- 11 kg with large baseplate



With very high magnification levels, use of the Leica XL stand is recommended for the greatest stability (see the "XL Universal Base" brochure)

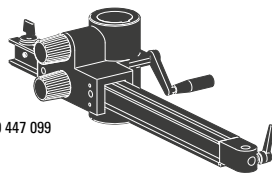
Specifications



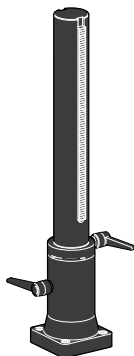
ARTICLE DESCRIPTIONS

- 10 446 344 Focusing arm, for columns with \varnothing 25 mm
- 10 446 436 Baseplate, medium
- 10 446 437 Baseplate, large
- 10 447 006 Flange
- 10 447 007 Table clamp
- 10 447 008 Vertical column 470/35 mm
- 10 447 014 Vertical column 560/57 mm
- 10 447 097 ESD horizontal arm
- 10 447 098 Standard horizontal arm
- 10 447 099 Horizontal arm, large
- 10 447 230 Vertical column 800/57 mm
- 10 447 259 Carrier rod, inclinable, \varnothing 25 mm
- 10 447 260 Baseplate, small
- 10 450 048 Focusing drive coarse/fine for swiveling arm stand
- 10 450 104 Microscope carrier for MZ series optics carriers
- 10 450 106 Microscope carrier compatible with Leica M50/M80, S and Z series
- 10 450 173 Microscope carrier for focusing drive 10 450 217
- 10 450 174 Focusing drive, inclinable
- 10 450 217 Focusing drive with inclinable column
- 10 450 260 XL universal plate
- 10 450 297 Adapter for universal plate 10 450 260 for all swing arm columns
- 10 450 313 Microscope carrier AX
- 10 450 408 Connection between DVM zoom and focus drive
- 10 450 441 Focusing drive coarse/fine with inclinable column
- 10 450 495 Flex arm stand

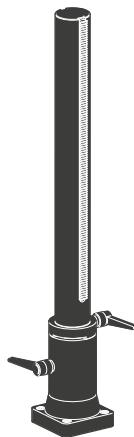
10 447 099



10 447 014



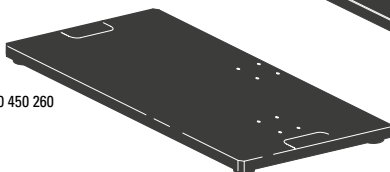
10 447 230



10 450 297



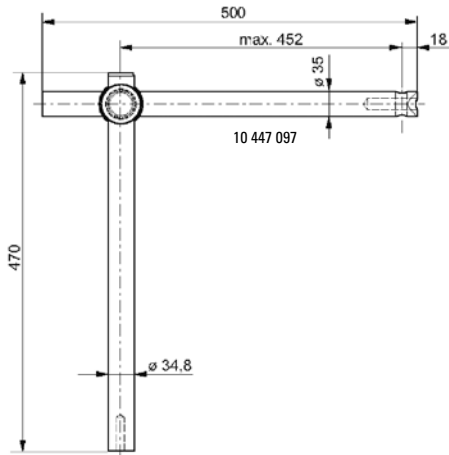
10 450 260



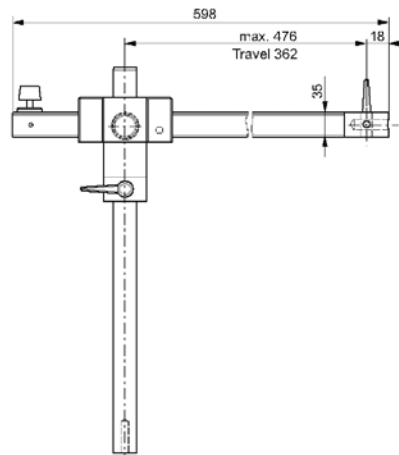
10 446 437



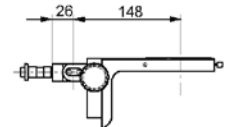
Dimensional drawings



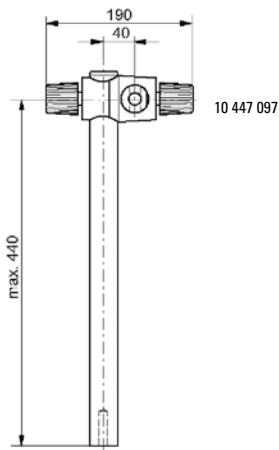
10 447 008



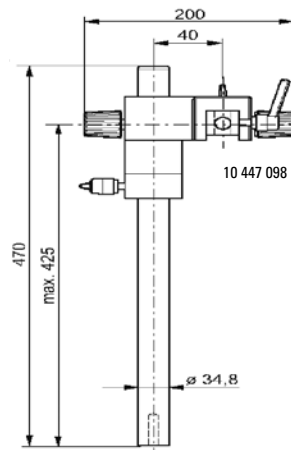
10 447 008



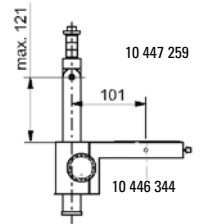
10 450 174



10 447 008



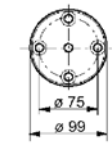
10 447 008



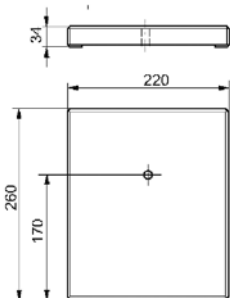
10 447 259



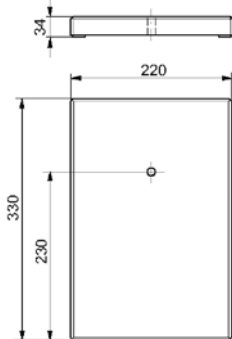
10 446 344



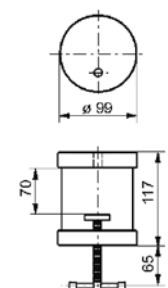
10 447 006



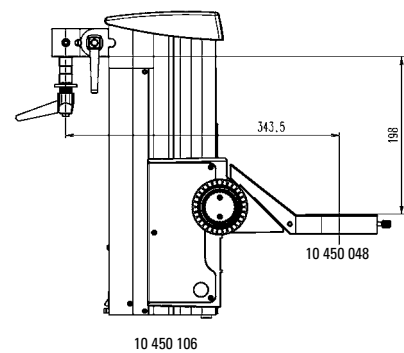
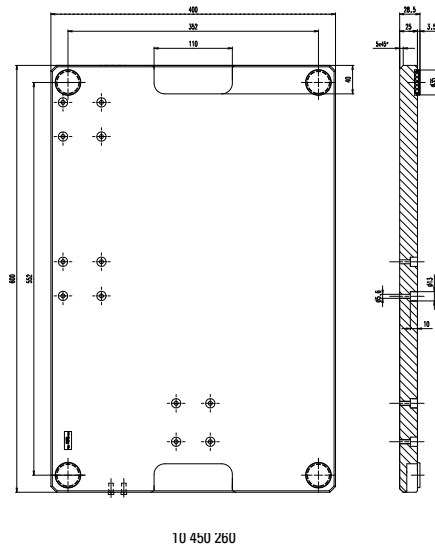
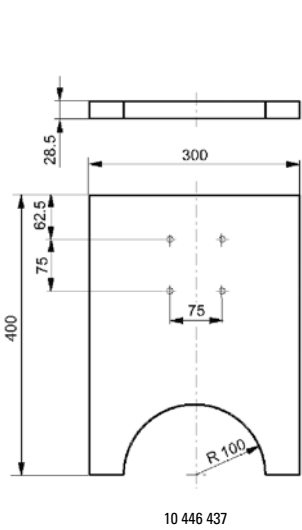
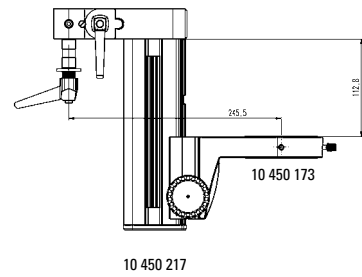
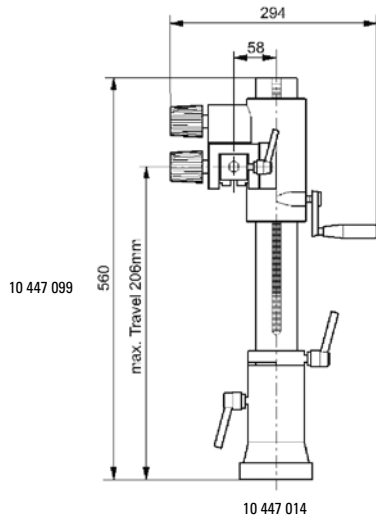
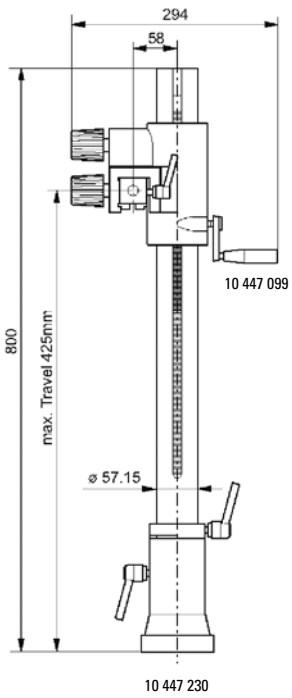
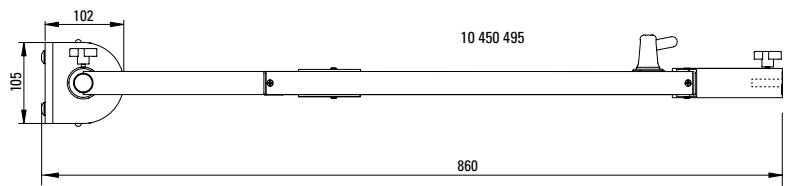
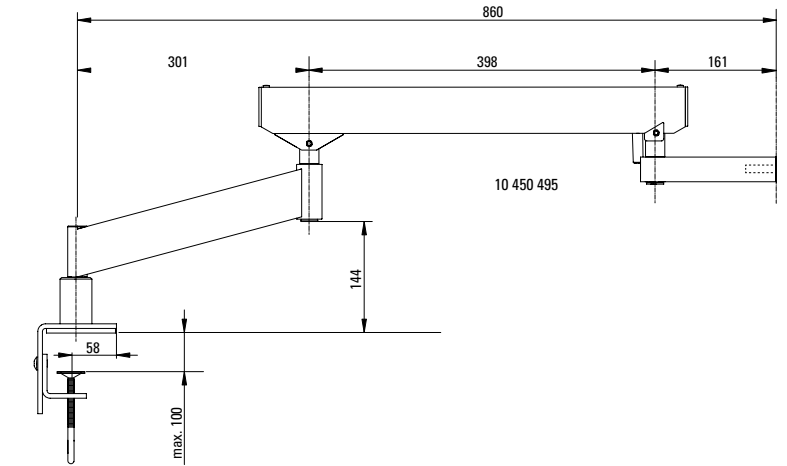
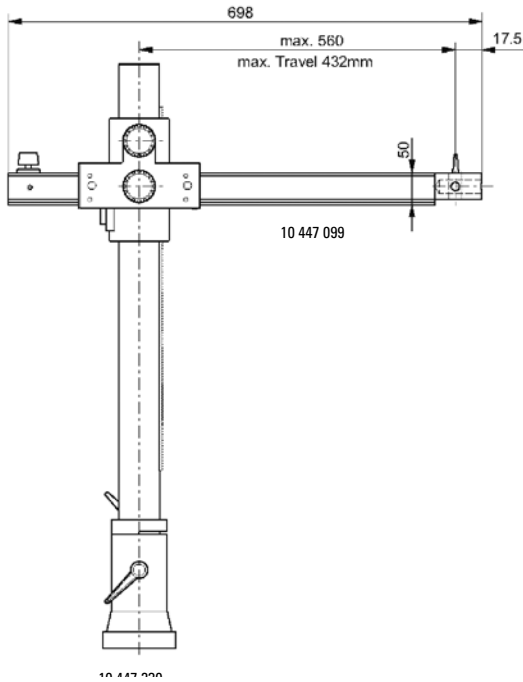
10 447 260



10 446 436



10 447 007



“With the user, for the user”

Leica Microsystems

Leica Microsystems operates globally in four divisions, where we rank with the market leaders.

• Life Science Division

The Leica Microsystems Life Science Division supports the imaging needs of the scientific community with advanced innovation and technical expertise for the visualization, measurement, and analysis of microstructures. Our strong focus on understanding scientific applications puts Leica Microsystems' customers at the leading edge of science.

• Industry Division

The Leica Microsystems Industry Division's focus is to support customers' pursuit of the highest quality end result. Leica Microsystems provide the best and most innovative imaging systems to see, measure, and analyze the microstructures in routine and research industrial applications, materials science, quality control, forensic science investigation, and educational applications.

• Biosystems Division

The Leica Microsystems Biosystems Division brings histopathology labs and researchers the highest-quality, most comprehensive product range. From patient to pathologist, the range includes the ideal product for each histology step and high-productivity workflow solutions for the entire lab. With complete histology systems featuring innovative automation and Novocastra™ reagents, Leica Microsystems creates better patient care through rapid turnaround, diagnostic confidence, and close customer collaboration.

• Medical Division

The Leica Microsystems Medical Division's focus is to partner with and support surgeons and their care of patients with the highest-quality, most innovative surgical microscope technology today and into the future.

The statement by Ernst Leitz in 1907, “with the user, for the user,” describes the fruitful collaboration with end users and driving force of innovation at Leica Microsystems. We have developed five brand values to live up to this tradition: Pioneering, High-end Quality, Team Spirit, Dedication to Science, and Continuous Improvement. For us, living up to these values means: **Living up to Life.**

Active worldwide

Australia:	North Ryde	Tel. +61 2 8870 3500	Fax +61 2 9878 1055
Austria:	Vienna	Tel. +43 1 486 80 50 0	Fax +43 1 486 80 50 30
Belgium:	Groot Bijgaarden	Tel. +32 2 790 98 50	Fax +32 2 790 98 68
Canada:	Richmond Hill/Ontario	Tel. +1 905 762 2000	Fax +1 905 762 8937
Denmark:	Ballerup	Tel. +45 4454 0101	Fax +45 4454 0111
France:	Nanterre Cedex	Tel. +33 811 000 664	Fax +33 1 56 05 23 23
Germany:	Wetzlar	Tel. +49 64 41 29 40 00	Fax +49 64 41 29 41 55
Italy:	Milan	Tel. +39 02 574 861	Fax +39 02 574 03392
Japan:	Tokyo	Tel. +81 3 5421 2800	Fax +81 3 5421 2896
Korea:	Seoul	Tel. +82 2 514 65 43	Fax +82 2 514 65 48
Netherlands:	Rijswijk	Tel. +31 70 4132 100	Fax +31 70 4132 109
People's Rep. of China:	Hong Kong	Tel. +852 2564 6699	Fax +852 2564 4163
Portugal:	Lisbon	Tel. +351 21 388 9112	Fax +351 21 385 4668
Singapore		Tel. +65 6779 7823	Fax +65 6773 0628
Spain:	Barcelona	Tel. +34 93 494 95 30	Fax +34 93 494 95 32
Sweden:	Kista	Tel. +46 8 625 45 45	Fax +46 8 625 45 10
Switzerland:	Heerbrugg	Tel. +41 71 726 34 34	Fax +41 71 726 34 44
United Kingdom:	Milton Keynes	Tel. +44 800 298 2344	Fax +44 1908 246312
USA:	Buffalo Grove/Illinois	Tel. +1 847 405 0123	Fax +1 847 405 0164

and representatives in more than 100 countries